

## Key Features

- ▶ THX certified L, C, R loudspeaker.
- ▶ 2" titanium compression driver – shielded.
- ▶ Bi-radial horn – 80 degrees vertical, 100 degrees horizontal.
- ▶ (2) 6.5" Poron-fiber-cone, cast-frame woofers – shielded.
- ▶ Vertical orientation.
- ▶ Easily placed behind perforated screens.
- ▶ Black ash semi-gloss finish.
- ▶ Front ported enclosure for easy installation as free standing or built-in.



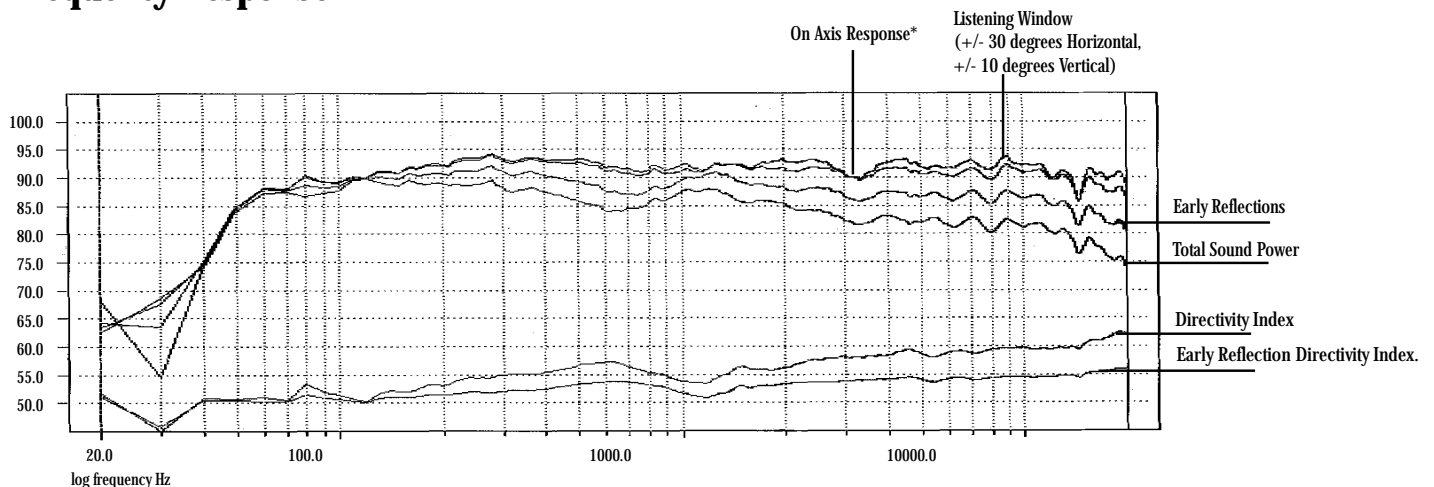
## Description

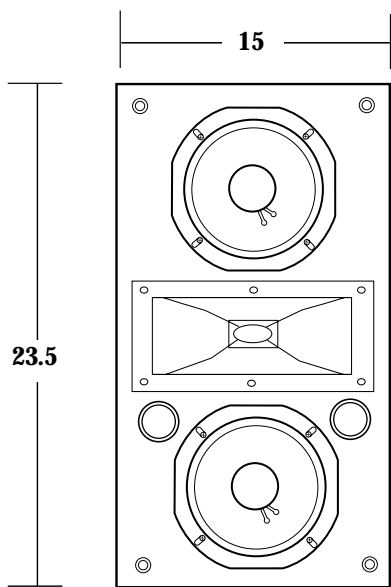
- ▶ Synthesis 2 vertical front loudspeaker.

## Specifications

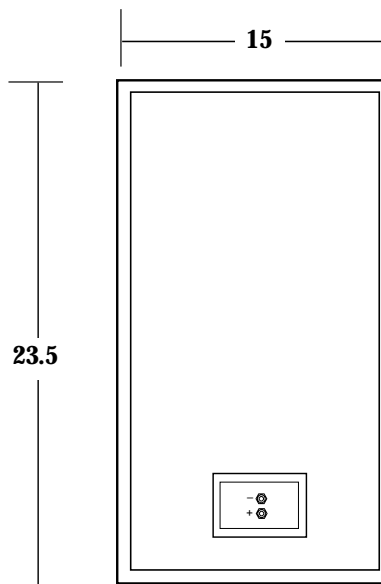
Frequency Response	80 Hz - 17 kHz
Sensitivity	91 dB (1 watt @ 1 meter)
Recommended Maximum Amplifier Power	150 Watts
Nominal Impedance	8 Ohms
High Frequency Transducer	2" Pure Titanium Compression Driver
Crossover Frequency	2.8 kHz
Low Frequency Transducer	6.5" Cone Transducer
Weight	65 lbs. /29.5 kg.
Dimensions (H x W x D)	23.5" x 15" x 10.78" 597mm x 381mm x 274mm

## Frequency Response

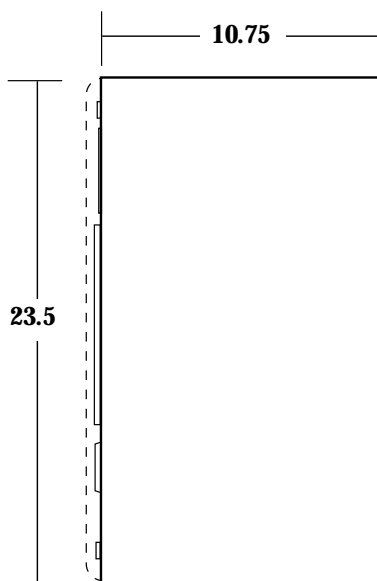




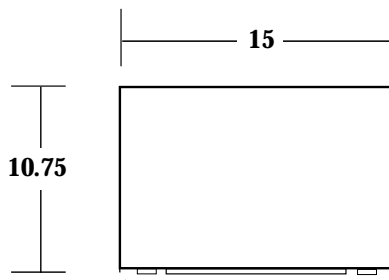
**Front**



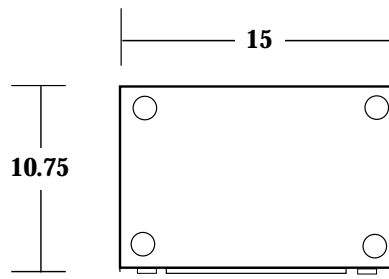
**Back**



**Side**



**Top**



**Footprint**

All measurements in inches

